

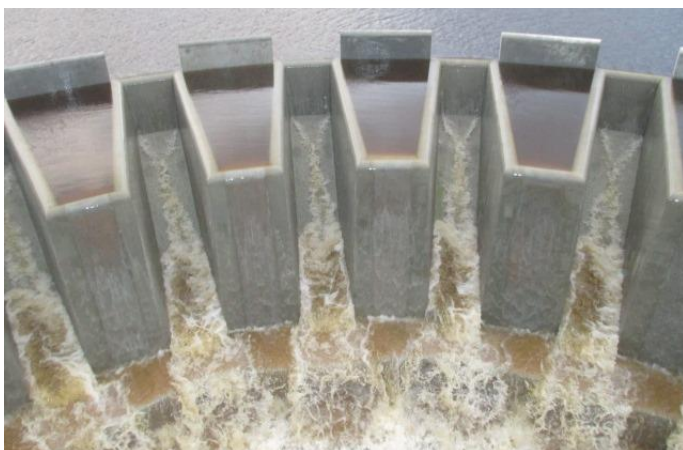
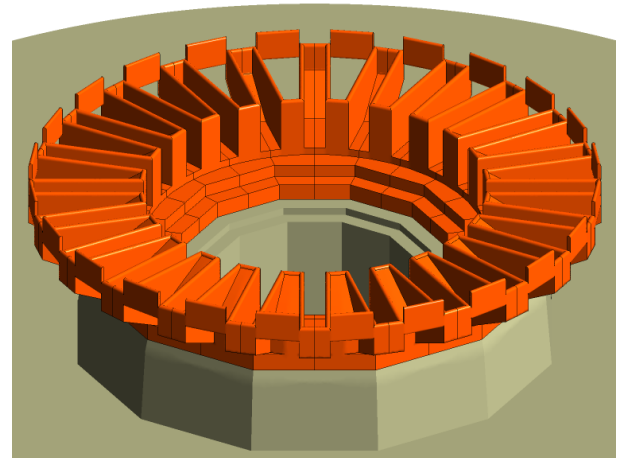
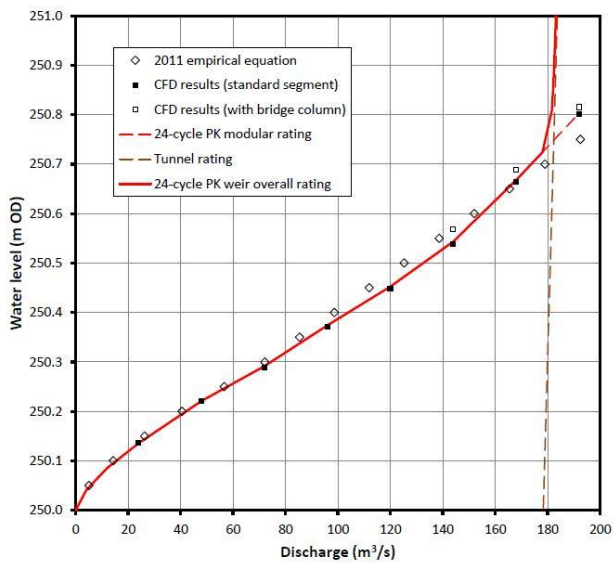


Dam's name:

BLACK ESK

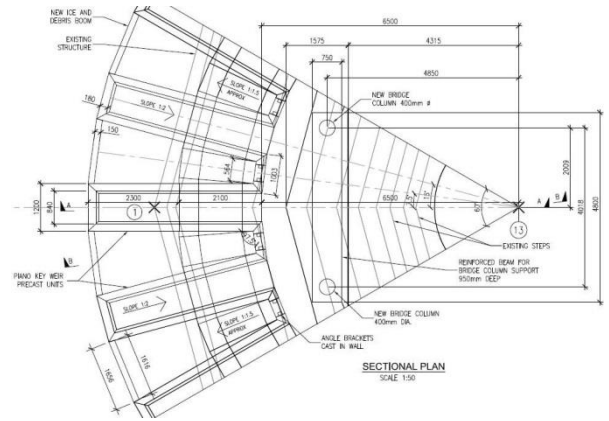
PKW's year of construction:

2013

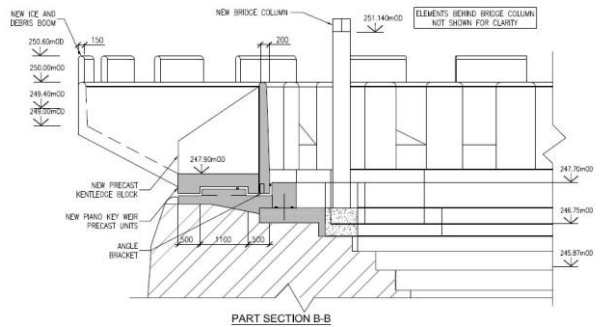


Country: Scotland

| | |
|--|---|
| <i>Progress of work :</i> | Built |
| <i>Dam's owner:</i> | Scottish Water |
| <i>Consultant:</i> | Black & Veatch |
| <i>Contractor:</i> | Black & Veatch |
| <i>PKW location:</i> | On top of the rim of the original bellmouth (morning glory) shaft and tunnel spillway |
| <i>Downstream energy dissipation type:</i> | Original hydraulic jump stilling basin downstream of spillway tunnel |
| <i>PKW purpose:</i> | Allow increase in storage capacity (overflow level raised by 2.5m) while minimising dam heightening |
| <i>PKW discharge capacity at MWL (m3/s):</i> | 183 |
| <i>Dam design flow (m3/s):</i> | 183 |
| <i>Monitoring devices (Presence and type):</i> | No |
| <i>Aeration (type and diameter of the pipe):</i> | None |
| <i>Overflowing Frequency:</i> | Several times annually |
| <i>Number of overflow known:</i> | Routine |
| <i>Maximum head on PKW experienced (m) and date:</i> | 0.08, 03/12/2015 |
| <i>Type and number of other spillway:</i> | None |
| <i>Material of the PKW:</i> | Mostly precast concrete |
| <i>B (m):</i> | 4.4 |
| <i>P (m):</i> | 2.1 |
| <i>W (m):</i> | 54.0 |
| <i>L (m):</i> | 238 |
| <i>Number of inlet:</i> | 24 |
| <i>W_i (m):</i> | Tapers 1.6 to 0.5 |
| <i>Number of outlet:</i> | 24 |
| <i>W_o (m):</i> | 0.8 |
| <i>T_s (m):</i> | 0.20 |
| <i>PKW cost (k€)</i> | 600 |
| <i>Total project cost (k€)</i> | 3700 |



Plan view of the PKW



Cross-section view of the PKW

Comment :
 Believed to be first UK application of PK weirs and to be the World's first adaptation of a battery of PK weirs around the rim of a bellmouth spillway.