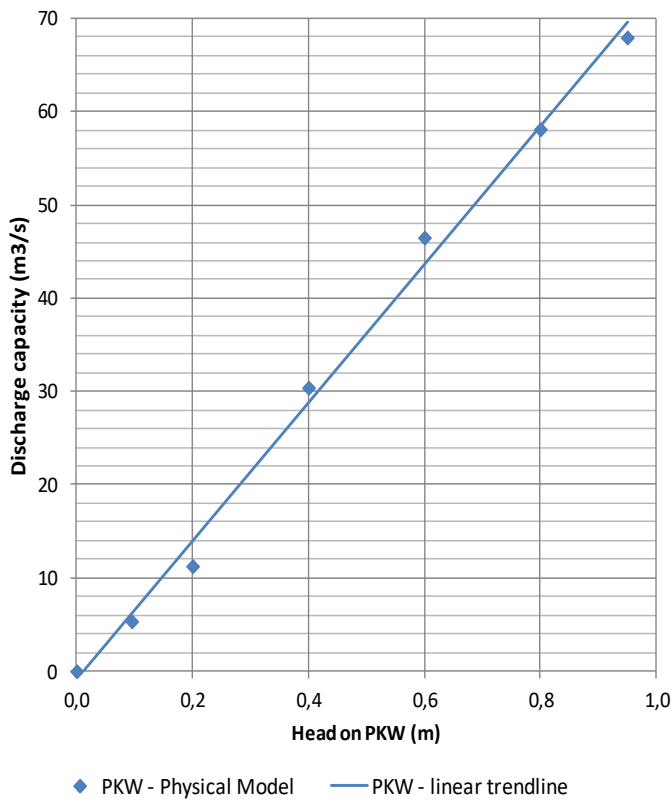




Dam's name:

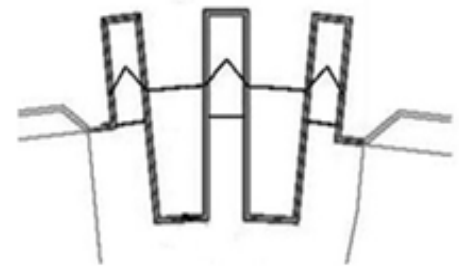
**GOULOURS**

PKW's year of Construction: 2006

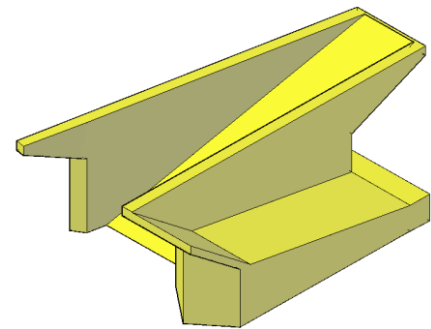


Country: France

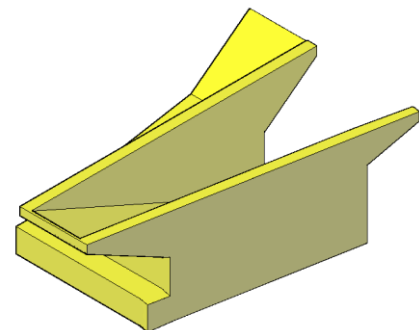
<i>Progress of work :</i>	Built
<i>Dam's owner:</i>	EDF
<i>Consultant and physical model laboratory:</i>	EDF-LNHE
<i>Contractor:</i>	Sogea
<i>PKW location:</i>	On the lower part of the dam near the bank
<i>Downstream energy dissipation type:</i>	Spillway chute
<i>PKW purpose:</i>	Increase discharge capacity
<i>PKW discharge capacity at MWL (m<sup>3</sup>/s):</i>	68
<i>Surveillance devices (Presence and type):</i>	No
<i>Aeration (type and diameter of the pipe):</i>	PVC pipe of 150 mm diameter
<i>Overflowing Frequency:</i>	> 10 years
<i>Number of overflow known:</i>	0
<i>Maximum head on PKW experienced (m) and date:</i>	Unknown
<i>Material of the PKW:</i>	Reinforced concrete
<i>Type of model used:</i>	Physical
<i>Type and number of other spillway:</i>	1 gated spillway
<i>B (m):</i>	9.28
<i>P (m):</i>	3.05
<i>W (m):</i>	14.1
<i>L (m):</i>	59.05
<i>Number of inlet:</i>	2+1/2
<i>W<sub>i</sub> (m):</i>	2.25 to 2.45
<i>Number of outlet:</i>	3
<i>W<sub>o</sub> (m):</i>	1.5 to 1.8
<i>T<sub>s</sub> (m):</i>	0.2



Plan view of the PKW



Upstream view of the PKW



Downstream view of the PKW

Comment:

First worldwide PKW spillway built.