

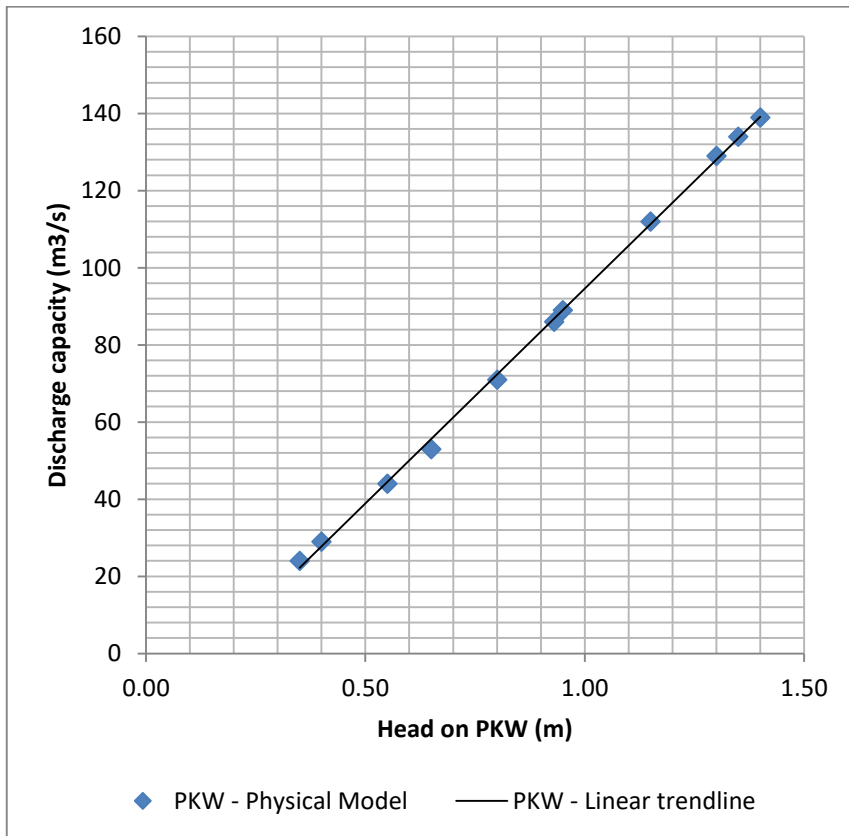


Dam's name:

SAINT-MARC

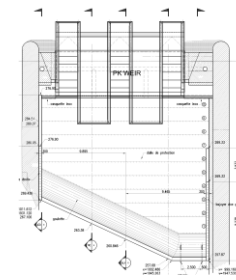
PKW's year of Construction:

2008

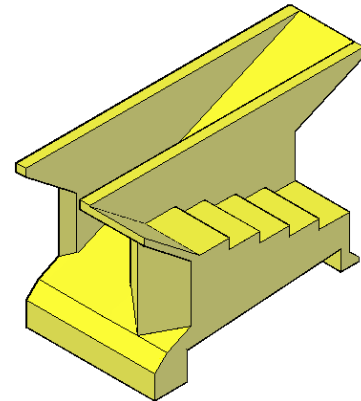


Country: France

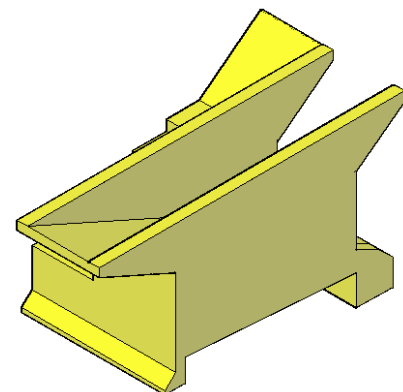
<i>Progress of work :</i>	Built
<i>Dam's owner:</i>	EDF
<i>Consultant and physical model laboratory:</i>	EPFL-LCH
<i>Contractor:</i>	Eiffage TP
<i>PKW location:</i>	On the crest dam
<i>Downstream energy dissipation type:</i>	Deflector bucket
<i>PKW purpose:</i>	Increase discharge capacity
<i>PKW discharge capacity at MWL (m³/s):</i>	134
<i>Surveillance devices (Presence and type):</i>	No
<i>Aeration (type and diameter of the pipe):</i>	PVC pipe of 500 mm of diameter
<i>Overflowing Frequency:</i>	> 10 years
<i>Number of overflow known:</i>	0
<i>Maximum head on PKW experienced (m) and date:</i>	Unknown
<i>Material of the PKW:</i>	Reinforced concrete
<i>Type of model used:</i>	Physical
<i>Type and number of other spillway:</i>	3 gated spillways
<i>B (m):</i>	12.05
<i>P (m):</i>	5.15
<i>W (m):</i>	15.1
<i>L (m):</i>	79.93
<i>Number of inlet:</i>	2
<i>W_i (m):</i>	3.2
<i>Number of outlet:</i>	3
<i>W_o (m):</i>	2.2
<i>T_s (m):</i>	0.35



Plan view of the PKW



Upstream view of the PKW



Downstream view of the PKW

Comment:

First PKW built on a crest dam